

OFFICIAL NOTICE TO THE USERS

The PC-FAX EXPANDER Type 190 is compatible with EIA Class2 FAX applications. It has been tested with select popular fax software packages.

Windows® is a trademark of the Microsoft Corporation.
All other product names are copyrighted and registered trademarks or tradenames of their respective owners.

TABLE OF CONTENTS

1	INTRODUCTION	1
2	THE RS232 CABLE CONNECTION	2
3	PC SOFTWARE	3
3.1	PC Fax Application	3
4	QUICK START	4
4.1	Basic Transmission Procedure	4
	Quick Dial, Speed Dial, and Group Dial Prefixes	4
4.2	Basic Reception	5
4.3	Scanning from the Fax Machine	5
4.4	Printing from the Fax Machine	5
5	USER PARAMETER SWITCH 14	6
5.1	Programming Switch 14	7
	Fax Function 63	7
6	TRANSMISSION	8
6.1	Direct Transmission	8
6.2	Memory Transmission	9
	Fax Memory Overflow	9
6.3	Quick Dials, Speed Dials, and Group Dials	10
6.4	Deleting PC Fax Memory Files	11
	Fax Function 24	11
7	RECEPTION	12
7.1	Direct Reception	12
	Substitute Reception	12
7.2	Memory Reception and Destinations	13
	Fax Memory Overflow	13

8	SCANNING IMAGES	14
8.1	Function 16 Scanning	15
	Fax Function 16.....	15
9	PRINTING ON THE FAX MACHINE	16
10	REPORTS AND LISTS	17
10.1	JOURNAL – Transmission Confirmation Report.....	17
10.2	Memory Transmission Reports	18
	Result Report	18
	Failure Report.....	18
10.3	User Parameter List	18
APPENDIX	19
	User Parameter Settings	19
	Examples.....	20
	G4 Transmission from the PC.....	21
	Installation Suggestions	22
	Communication Ports	22
	Fax Applications	23
	Technical Assistance	23

1 INTRODUCTION

The PC-FAX EXPANDER Type 190 option is a combination of the physical connection between a PC and the fax machine and PC software. It expands the operations of the equipment by providing :

- fax to PC Immediate transmission and memory transmission
- the use of fax memory for improved faxing from the PC
- the use of the fax as a scanner
- the use of the fax as a laser printer

The PC-FAX EXPANDER Type 190 offers two fax communication paths: direct, and through fax memory.

Direct communication uses the fax machine's modem as its external modem, and increases broadcasting potential by being able to use the large PC memory.

Memory communication brings the following capabilities with this option.

- Modified Modified Read (MMR) fax compression technique for more efficient transmission
- Error Correction Mode (ECM) for higher quality transmission.
- You can dial using Quick Dial, Speed Dial, and Group numbers stored in the machine.
- G4 communication from your PC (The ISDN Interface Unit Type 190 option is require.)

The PC-FAX EXPANDER connection adds the fax machine's scanner and laser printer to your PC system's capabilities. You will be able to scan from the fax machine, as well as from your PC.

2 THE RS232 CABLE CONNECTION

When The PC-FAX EXPANDER Type 190 is installed, your fax can be connected like an external modem to one of your PC communication ports. A PC usually has two communication, or serial, ports located in the back. These ports will accept 25-pin or 9-pin connectors (the type known as DB25 or DB9). The fax machine will use one of them. If you have a serial mouse, it may be using the other.

A serial port must be available to connect the PC-FAX EXPANDER to your PC.

You will need a “straight-through” shielded serial cable to connect the fax to one of the serial ports located in the back of the PC. A shielded cable will protect the communication in noise radiating environments. The cable can be purchased at a local computer supply store.

One end of the cable should have a **25-pin male DB25-type** connector to plug into the fax machine's PC-FAX EXPANDER port. The other end should have either a **25-socket female or a 9-socket female** connector to plug into the serial port on your PC.

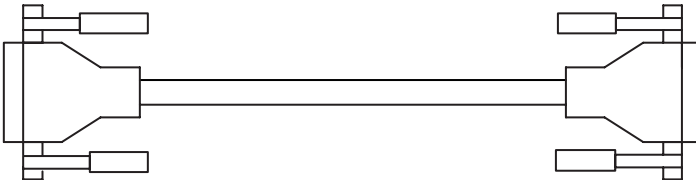
It is important to examine your PC to determine which female connector you will need for your cable.



DB25 MALE



DB25 OR DB9 FEMALE



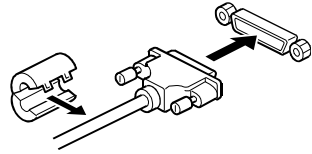
Straight-through double-shielded cable

Note: Do not connect or disconnect the RS232C cable while the power is on to the connection device.

Fixing the EMI Core to the PCFE cable

The EMI Core must be attached to the PCFE cable to avoid electrical interference. Attach the EMI Core to the end of the PCFE cable connected to the fax machine as shown right.

Note: Do not switch on until everything is connected properly.



3 PC SOFTWARE

The following shows the software packages the PC-FAX EXPANDER Type 190 supports. See their user guides for installation instructions. To aid installation, you will find some suggestions concerning the availability and configuration of COM ports on page 24 of this guide.

3.1 PC Fax Application

The PC-FAX EXPANDER Type 190 is designed to work with several fax applications.

- MS-FAX (Win95)
- LaserFAX 3.5
- WinFax PRO 8.0
- Sopwith Lite
- WinPhone
- BitWare 6.0.

Note:

Availability of some options may depend on your locate.

4 QUICK START

QUICK START procedures assume that you have installed a fax application in your PC (see page 23), and that you are familiar with the fax machine's operation.

4.1 Basic Transmission Procedure

- Check the PC and fax machine settings.

DIRECT TRANSMISSION		FAX MEMORY TRANSMISSION	
● PC is running the fax software and modem is Class 2.			
● Fax machine is on.			
● Fax : User Parameter Switch 14 fax application selection Digit 5 is 0 and Digit 6 is 0 : Bitware, MS-Fax(Win95) Digit 5 is 1 and Digit 6 is 0 : WinFax 8.0 Digit 5 is 1 and Digit 6 is 1 : Sopwith Lite, LaserFax, WinPhone(BVRP)			
● FAX : User Parameter Switch 14 Digit 0 is 0.		FAX : User Parameter Switch 14 Digit 0 is 1, and Digit 2 is 0 : No G3 TTI, or Digit 2 is 1 : G3 TTI	
1. PC : Prepare the file or message for sending.			
2. PC : Change the printer to the fax application. Select options.			
3. PC : Choose Print command. Select options			
4. PC : In the dialing dialog box enter the recipient's name and other data.			
5. PC : Dial the fax number.		PC : Dial the full fax number, or use coded dial numbers: # (Quick Dial Number) G3/G4‡ #* (Speed Dial Number) G3/G4‡ #** (Group Number) G3/G4‡	
6. PC : Click Start (or Send).			

To change the User Parameter Switch 14 digit settings, see page 7.

Quick Dial, Speed Dial, and Group Dial Prefixes

Fax numbers programmed at the fax machine as Quick Dial, Speed Dial, and Group numbers can be dialed from the PC by prefixing the numbers with the symbols, #, #*, #**. For example :

TO DIAL FROM THE PC	ENTER	FOR
Quick Dial 01	# 0 1	G3/G4‡
Speed Dial 0 1	# * 0 1(or # * 99)	G3/G4‡
Group 01 (stored in Quick Dial 02)	# ** 0 1 (or # 0 2)	G3/G4‡

‡ The ISDN INTERFACE UNIT Type 190 option is require.

4.2 Basic Reception

- Check the PC and fax machine settings.

DIRECT RECEPTION	FAX MEMORY RECEPTION
● PC is running the fax software and set for automatic answering.	
● PC modem is Class 2.	
● Fax machine is on.	
● Fax : User Parameter Switch 14 fax application selection Digit 5 is 0 and Digit 6 is 0 : Bitware, MS-Fax(Win95) Digit 5 is 1 and Digit 6 is 0 : WinFax 8.0 Digit 5 is 1 and Digit 6 is 1 : Sopwith Lite, LaserFAX, Win-Phone (BVRP)	
● FAX : User Parameter Switch 14 Digit 3 is 0. Digit 4 is 0.	● FAX : User Parameter Switch 14 Digit 3 is 0, Digit 4 is 0 : Print at FAX Digit 3 is 0, Digit 4 is 1 : Send to PC Digit 3 is 1, Digit 4 is 1 : Print at FAX and send to PC

To change the User Parameter Switch 14 digit settings, see page 7.

4.3 Scanning from the Fax Machine

- Check the PC and fax machine settings.

● PC is running the fax software and set for automatic answering [‡] .
● PC modem is Class 2
● Fax machine is on.
● FAX : Check for Contrast, Resolution (Standard or Detail), Halftone
1. FAX : Place document in feeder.
2. FAX : Press Function .
3. FAX : Press 1 6 at the ten-key pad.
4. FAX : Press Yes and Start .

4.4 Printing from the Fax Machine

- Check the PC and fax machine settings.

● PC is running the fax software and modem is Class 2
● Fax machine is on.
1. PC : Change the printer to the fax application. Select options.
2. PC : Select the file to print.
3. PC : Select the Print command.
4. PC : From the Dial (or Send) dialog box, dial 0 0 0 0 .
5. PC : Click Send (Start).

5.1 Programming Switch 14

Make Parameter Switch changes by using fax Function 63 to bring the switch into the character display, and then press the number of the digit to be changed on the fax machine's telephone keypad.

Pressing the number of the digit on the keypad toggles the VALUE of the digit between 0 and 1. See page 20 for more information.

The procedure is demonstrated with digits 0, 3, and 4:

Default :

- Digit 0 is 0
- Digits 3 and 4 are 0

If :

- Digit 0 is 1
- Digits 3 and 4 are 1

the operation is :

direct transmission from the PC
print at the fax.

the operation will change to :

memory transmission from the PC
print at the fax and send to the PC(Memory).

Digits 1, 2, 5 and 6 will remain at their default settings—Fax TTI off and Sopwith Lite/ Laser FAX/WinPhone (BVRP) selected as the fax application.

Fax Function 63

Press the **[Function]** **[6]** then enter the access code **[2]** **[2]** **[2]** **[2]**. Then press **[6]** **[3]** and the **[Yes]** key.

```
SETTING?           Y/▶
PRINT LIST◀
```

Press the **[Yes]** key again and use ◀ and ▶ to go to switch 14.

```
                KPAD/Y/◀▶
SWITCH 14 :0110 0001
```

Note:

For example go to switch 14 by pressing ▶ five times.

To change bit 3, press **[3]** on the ten key pad. Bit 3 change from 0 to 1 or from 1 to 0.

```
                KPAD/Y/◀▶
SWITCH 14 :0110 1001
```

Note:

To change bit 0, press **[0]** to change bit 1, press **[1]** and so on.

Press the **[Yes]** and **[Function]** key.

6 TRANSMISSION

The PC-FAX EXPANDER Type 190 transmission from the PC will be either direct or through the fax machine memory. The transmission path is set by the fax machine's **User Parameter Switch 14 Digit 0**. See section 5 for more Switch 14 information.

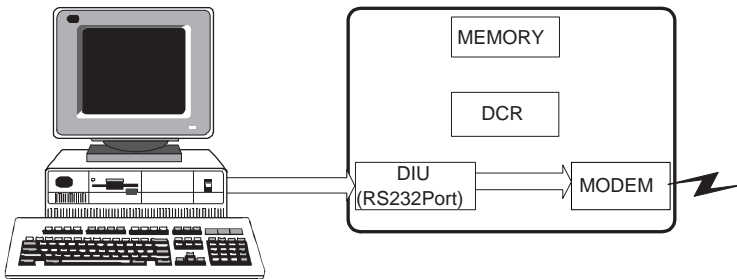
Special sending procedures for either direct or memory transmission **are not** required. The Quick Start section, page 4, offers a general description of faxing from the PC. Consult your fax application's user manual for specific procedures and suggestions.

6.1 Direct Transmission

Direct transmission uses only the fax machine's modem. The operation is governed from the PC fax application and not the fax machine.

1. Make that **User Parameter Switch 14** is set for direct transmission. Digit 0 should be 0.
2. Follow the procedure for sending a fax described in your fax application's user manual.

FAX WITH PC-FAX EXPANDER Type 190



DIU : The Digital Interface Unit, or RS232 Port
DCR : The Data Compression/Reconstruction Unit

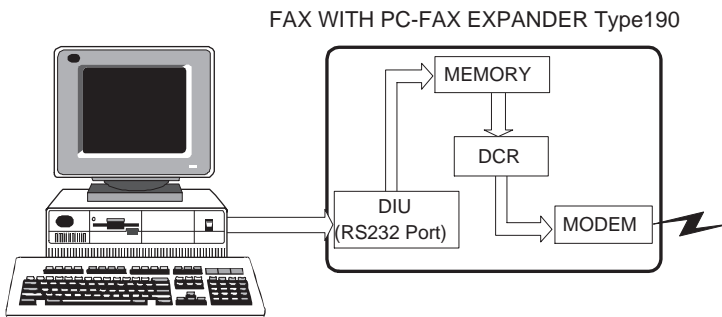
The following fax capabilities will not be available.

- MMR fax data compression technique
- ECM
- Quick Dials, Speed Dials, and Group Dials in the machine
- Direct G4 transmission from the PC. (The ISDN INTERFACE UNIT Type 190 option is require.)

6.2 Memory Transmission

Using fax memory will contribute the fax data processing to the fax transmission and give you additional dialing capabilities from your fax application :

- MMR fax data compression technique
 - ECM
 - use of fax Quick Dial, Speed Dial, and Group Dial,
 - G4 transmission (The ISDN INTERFACE UNIT Type 190 option is require.),
 - G3 Transmit Terminal Identifier (TTI) can be turned on or off.
The TTI is initially turned off by User Parameter Switch 14 to avoid possible conflicts with the PC fax application's fax header.
1. Program **User Parameter Switch 14** for memory transmission.
Digit 0 should be 1.
To program Switch 14, see page 7.
 2. To send TTI, program **Switch 14 Digit 2 to 1**.
 3. Follow the procedure for sending a fax described in your fax application's user manual.



DIU : The Digital Interface Unit, or RS232 Port

DCR : The Data Compression/Reconstruction Unit

Fax Memory Overflow

If transmission from the PC fills the fax machine's memory to its capacity, the accumulated pages will be sent as a file. An error report will be issued by the fax machine.

6.3 Quick Dials, Speed Dials, and Group Dials

Ref.: Section titled "Memory Transmission and Immediate Transmission" in fax manual.

For memory transmissions you can use the machine's programmed Quick Dials, Speed Dials and Group Dials to dial G3 and G4‡ destinations from the PC by using a dialing prefix.

1. Check that **User Parameter Switch 14** is set for memory transmission. Digit 0 should be 1.
See section 5 for more Switch 14 information.
2. Follow the procedure for sending a fax described in your fax application's user manual.
3. Dial as follows.

Quick Dial #	Press the pound key (#). Press the numbers of the Quick Dial.
Speed Dial # *	Press the pound key (#). Press the asterisk key <i>once</i> (*). Press the numbers of the Speed Dial
Group Number # * *	Press the pound key (#). Press the asterisk key <i>twice</i> (* *). Press the numbers of the Group
Group Quick Dial #	Press the pound key (#). Press the numbers of the <i>Quick Dial</i> programmed with the <i>Group</i>

For example :

TO DIAL:	PRESS:	FOR:
Quick Dial 01	# 0 1	G3/G4‡
Speed Dial 0 1	# * 0 1	G3/G4‡
Group 01 (stored in Quick Dial 02)	# * * 0 1 (or # 0 2)	G3/G4‡

‡ **The ISDN INTERFACE UNIT Type 190 option is require.**

6.4 Deleting PC Fax Memory Files

The PC-FAX EXPANDER Type 190 option introduces fax Function 24 specifically to delete PC-FAX EXPANDER memory transmission files.

A file can be deleted during memory transmission or during an automatic re-dialing operation. The deletion will end the operation.

Fax Function 24

```
READY          98% 10:00
SET DOC. OR DIAL NO.
```

Press **[Function] [2] [4]** then the **[Yes]** key.

```
FILE NO.■■■■ KPAD/◀▶
PRINT LIST◀/SEARCH▶
```

Press scroll key ◀ to print list. From the list, identify the 3-digit file number of the file to be cleared.

Enter the file number.
e.g. **[0] [0] [2]**.

```
FILE NO.002      Y/N
123
```

Press the **[Yes]** and **[Function]** key.

```
READY          100% 10:00
SET DOC. OR DIAL NO.
```

Note:

The clock in the machine for the North America appear is 12 hours.

7 RECEPTION

The PC-FAX EXPANDER Type 190 reception will be direct or through the fax machine memory. The reception path is set by the fax machine's **User Parameter Switch 14 Digit 3 and 4**. See section 5 for more Switch 14 information.

The Quick Start section, page 4, gives a general description of reception with The PC-FAX EXPANDER. Consult your PC fax application's user manual for specific procedures.

7.1 Direct Reception

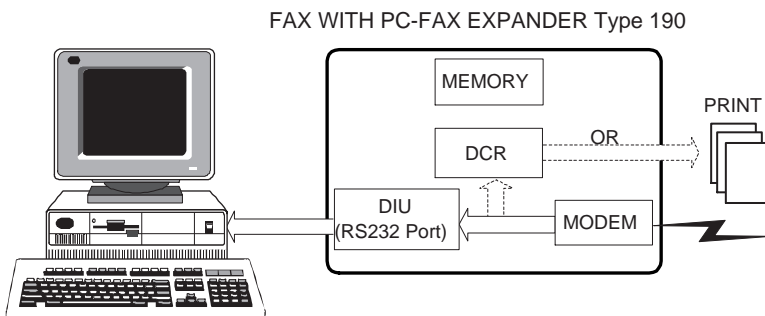
Direct reception uses only the fax machine's modem. The reception is governed by the PC fax application.

1. Check that **User Parameter Switch 14** is set for direct reception. Digit 3 should be 0. Digit 4 should be 1. For the default or initial setting, see page 6.
2. The PC fax application is running and set for automatic answering so that incoming faxes will be received without operator assistance.

Substitute Reception

Ref. : Section titled "Printing Received Message that Have Been Stored (Substitute Reception)" in the fax manual.

If switch 14 digit 4 is set to 1, incoming faxes will be received and printed at the fax machine if the PC is not ready to receive. Substitute Reception must be turned on with User Parameter Switch 05, digit 0.



DIU : The Digital Interface Unit, or RS232 Port
DCR : The Data Compression/Reconstruction Unit

7.2 Memory Reception and Destinations

The PC-FAX EXPANDER memory receptions will use the fax data processing resources of the fax machine. The destination of memory receptions is specified by User Parameter Switch 14, Digits 3 and 4. The fax machine is initially set to receive and print all memory receptions for the PC. See section 5 for more information about Switch 14.

1. Check that **User Parameter Switch 14** is set for memory reception. Digit 4 should be 1. To program Switch 14, see page 6.
2. The output destination depends on the following **User Parameter Switch 14** settings :

To fax : **Digit 3 is 0 and Digit 4 is 0.**

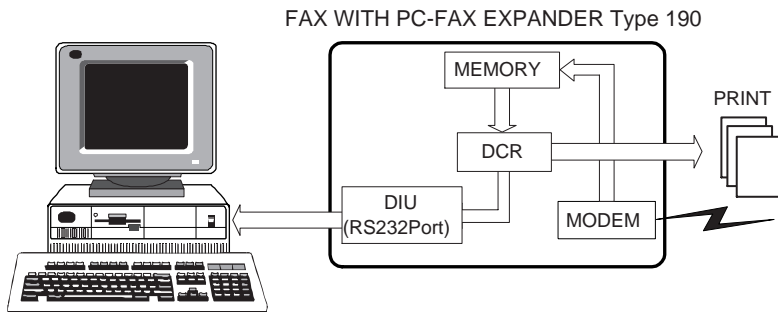
To PC (Direct) : **Digit 3 is 1 and Digit 4 is 0.**

To PC (Memory) : **Digit 3 is 0 and Digit 4 is 1.**

To PC (Memory) and fax : **Digit 3 is 1 and Digit 4 is 1.**

3. The PC fax application is running and set for automatic answering so that incoming faxes will be received without operator assistance.

If the PC can't receive the faxes the fax machine will print them automatically. If fax can't print the faxes it will store them in fax memory. See "Substitute Reception", page 12.



DIU : The Digital Interface Unit, or RS232 Port

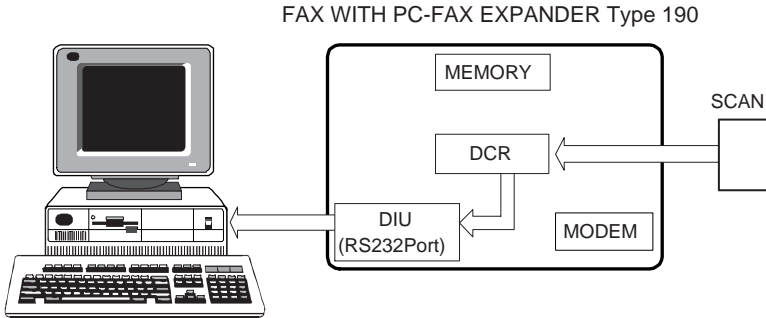
DCR : The Data Compression/Reconstruction Unit

Fax Memory Overflow

If receptions fill the fax machine's memory to its capacity, the accumulated pages will be sent as a file to the location specified by Parameter Switch 14. An error report will be issued by the fax machine.

8 SCANNING IMAGES

With the PC-FAX EXPANDER you can use your fax machine as a multi-page scanner.



DIU : The Digital Interface Unit, or RS232 Port

DCR : The Data Compression/Reconstruction Unit

8.1 Function 16 Scanning

Scanning from the fax machine is like sending a fax message to the PC. Receiving the scanned image at the PC is like receiving a fax as described in your fax application manual.

1. Make sure the PC fax application is running and set for automatic answering.
2. On the fax machine operator panel :
make image quality selections :

Resolution	Standard, Detail [‡]
Halftone	

[‡] **Fine resolution** (200 x 400 dpi) is **not available** for Function 16 scanning. The resolution will default to Detail mode. Resolution is not adjustable during multi-page scanning.

Fax Function 16

Press **Memory** key if LED is on.

READY 100% 10:00
SET DOC. OR DIAL NO.

Set the document in the document feeder.

Press **[Function] [1] [6]** then the **[Yes]** key.

SCANNER MODE START
PUSH START

Press **[Start]** to transmit to PC.
Wait.

SCANNING

When scanning is finished display returns to default transmit mode.

READY 100% 10:00
SET DOC. OR DIAL NO.

Note:

The clock in the machine for the North America appear in 12 hours.

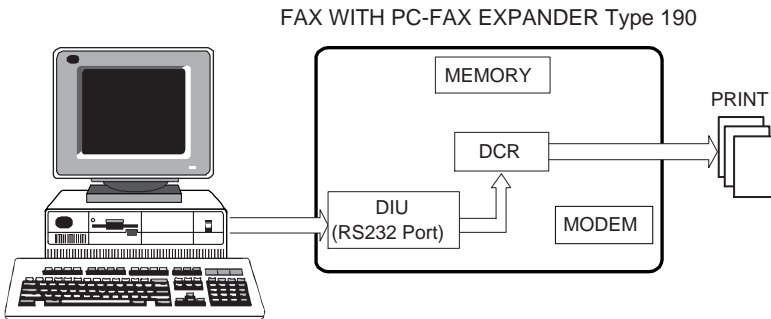
9 PRINTING ON THE FAX MACHINE

To use your fax machine as a printer, follow your PC fax application's procedures for faxing documents from a Windows application.

When the dialing dialog box appears, use the **special four-digit fax dialing number, 0 0 0 0**, to send the document to the fax machine where it will be printed. No other settings are necessary.

From the Windows application :

1. Choose your fax application as your printer.
2. Open the document you want to print.
3. Select the Print command and print options.
4. The PC fax application dialog box appears : **Dial 0 0 0 0**.
5. Click **Start** (or Send).



DIU : The Digital Interface Unit, or RS232 Port

DCR : The Data Compression/Reconstruction Unit

10 REPORTS AND LISTS

10.1 JOURNAL – Transmission Confirmation Report

Ref. : See “Reports You can Printout Yourself” in the fax manual.

The PC-FAX EXPANDER transmissions and receptions are recorded on the Journal. They are identified with new symbols.

* : PC

% : PC direct transmission or direct reception

* * * JOURNAL (20. AUG. 1999 17:15) * * *

TTI XYZ COMPANY

<TRANSMISSION>

DATE	TIME	ADDRESS	MODE	TIME	PAGE	RESULT	PERS. NAME	FILE
20 AUG	9:00	NEW YORK OFFICE	G3S	0'40"	P. 1	OK		001
	12:58	PC ----->	*D	0'02"	P. 1	OK		002
	13:00	TOKYO OFFICE	G4EDM	0'02"	P. 1	OK		002
	16:57	NEW YORK OFFICE	G3%S	0'06"	P. 1	OK		005

<RECEPTION>

DATE	TIME	ADDRESS	MODE	TIME	PAGE	RESULT	PERS. NAME	FILE
20 AUG	15:03	LONDON OFFICE	G3SM	0'30"	P. 1	OK		003
	15:05	-----> PC	*S	0'58'	P. 1	OK		003
	16:30	NEW YORK OFFICE	G3%S	0'30"	P. 1	OK		004
	17:08	NEW YORK OFFICE	G3ESM	1'18"	P. 1	OK		006
	17:10	-----> PC	*S	0'28'	P. 1	E		006

TX 000005

RX 000004

: BATCH C : CONFIDENTIAL \$: TRANSFER P : POLLING
M : MEMORY L : SEND LATER @ : FORWARDING E : ECM
S : STANDARD D : DETAIL F : FINE > : REDUCTION
!S : REMOTE TRANSFER B : FAX ON DEMAND * : PC % : PC DIRECT

Transmit Files for August 20

- File 1 (9:00) G3 immediate transmission from fax machine to New York
- File 2 (12:58) Memory reception of Transmit File 002 from PC
- File 2 (13:00) G4 memory transmission of Receive File 002 to Tokyo
- File 5 (16:57) G3 direct transmission from PC to New York

Receive Files for August 20

- File 3 (15:03) G3 memory reception from London
- File 3 (15:05) Receive File 003 forwarded from fax memory to PC
- File 4 (16:30) G3 direct reception from New York to PC
- File 6 (17:08) G3 memory reception from New York
- File 6 (17:10) G3 memory transmission of Receive File 006 failure

10.2 Memory Transmission Reports

Memory transmission reports include a *new mode name* to identify memory transmissions from the PC : PC MEMORY TX.

Result Report

* * * COMMUNICATION RESULT REPORT (20.AUG. 1999 13:01) * * *
TTI XYZ COMPANY

FILE	MODE	OPTION	ADDRESS(GROUP)	RESULT	PAGE
004	PC MEMORY TX		TOKYO OFFICE	OK	P. 1

REASON FOR ERRORS

- 1) HANG UP LINE FAIL
- 2) BUSY
- 3) NO ANSWER
- 4) NO FACSIMILE CONNECTION

Failure Report

* * * COMMUNICATION RESULT REPORT (20. AUG. 1999 17:10) * * *
TTI XYZ COMPANY

FILE	MODE	OPTION	ADDRESS(GROUP)	RESULT	PAGE
008	PC MEMORY TX		NEW YORK OFFICE	E-2)2)2)2)2)	P. 1

REASON FOR ERRORS

- 1) HANG UP LINE FAIL
- 2) BUSY
- 3) NO ANSWER
- 4) NO FACSIMILE CONNECTION

10.3 User Parameter List

User Parameter Switch 14 appears below SW12 on the User Parameter List (Function 63).

* * * USER PARAMETER LIST (20. AUG. 1999 10:00) * * *
TTI XYZ COMPANY

```

.
.
.
COUNTER
SCN      000001  PRT      000005
.
USER SWITCH
.
(SW12)
<7> COPY MODE          *ON          OFF
(SW13)
<0,1> ACCESS METHOD FOR PSTN LINE *NONE      PREFIX
      GROUND          FLASH
(SW14) PC-FAX
<0> MEMORY TX MODE     *ON          OFF
<2> TTI/CIL            ON          *OFF
<3,4> RECEPTION MODE  *FAX        PC DIRECT
      PC MEMORY       PC MEMORY+PRINT
    
```


The **Default row** is the switch as it was set at the factory. The Switch row will show the changes that have been made.

Examples

User Parameter Switches appear in the character display when you are programming new digit values. See section 5, page 6, for information. Following are some of the ways Switch 14 would appear.

Direct Transmission, Send NO TTI, Print receptions at fax, Fax Application Spowith/LaserFax/WinPhone:

```

                KPAD/Y/◀▶
SWITCH 14 :0110 0000
    
```

Memory Transmission, Send NO TTI, Print receptions at fax, Fax Application Spowith/LaserFax/WinPhone:

```

                KPAD/Y/◀▶
SWITCH 14 :0110 0001
    
```

Direct Transmission, Send NO TTI, Send reception to PC, Fax Application Spowith/LaserFax/WinPhone:

```

                KPAD/Y/◀▶
SWITCH 14 :0111 0000
    
```

Memory Transmission, Send NO TTI, Send receptions to PC, Fax Application Spowith/LaserFax/WinPhone:

```

                KPAD/Y/◀▶
SWITCH 14 :0110 1001
    
```

Memory Transmission, Send NO TTI, Print at fax and Send to PC, Fax Application Spowith/LaserFax/WinPhone:

```

                KPAD/Y/◀▶
SWITCH 14 :0111 1001
    
```

Memory Transmission, Send, Print at fax and Send to PC, Fax Application Spowith/LaserFax/WinPhone:

```

                KPAD/Y/◀▶
SWITCH 14 :0111 1101
    
```


G4 Transmission from the PC

Ref. : Section titled "ISDN" in the fax manual

G4 transmission requires the installation of the ISDN INTERFACE UNIT Type 190 in the fax.

To dial G4 fax numbers from the PC, use programmed Quick Dials and Speed Dials with special prefixes. Using the programmed Dials requires setting the fax machine for memory transmission. The fax machine will add the G4 Terminal ID to the transmission.

1. Make sure that **User Parameter Switch 14** is set for memory transmission.
Digit 0 should be 1.
See section 5 for more Switch 14 information.
2. Program fax machine Quick Dials and Speed Dials with G4 fax number, and subaddress if needed.
See Operator's Manual, section titled "ISDN" and following.
3. Follow the procedure for sending a fax that is described in your fax application's user manual.
4. Dial the prefixes and the G4 Quick Dial or Speed Dial numbers from the PC as described in section 6.3.

For example :

TO DIAL :

G4 Quick Dial 03

G4 Speed Dial 0 3

G4 Group 04 (stored in Quick Dial 05)

PRESS :

0 3

* 0 3 (or # * 0 3)

* * 0 4 (or # 0 5)

Installation Suggestions

If your fax application has difficulty locating the modem, check the fax machine to be sure it is on and ready : Turn it off. Wait a few seconds. Turn it back on.

Run the MS-DOS diagnostics to review the COM ports and IRQs for possible conflicts.

Communication Ports

The PC's serial ports are usually configured as COM1 and COM2. They are assigned Interrupt Request numbers (IRQs). IRQs establish priorities which prevent conflicts occurring when two devices want to use the same resources at the same time.

To determine the availability of COM ports and their IRQs, Windows users[‡] can run the MS-DOS diagnostics program. Change the directory to the root and type **msd** :

```
C:\WIN> cd\  
C:\>msd
```

When the diagnostics menu appears, choose "COM Ports". The next screen will show which COM ports are enabled or available. Choose "IRQ Status" to show which Interrupt Request status each COM port has. The COM ports must not have the same IRQ : they are usually configured with IRQ4 and IRQ3.

For example :

IRQ STATUS				
IRQ	ADDRESS	DESCRIPTION	DETECTED	HANDLED BY
3	F000: EF6F	COM2: COM4:	COM2	BIOS
4	CE29: 0096	COM1: COM3:	COM1:	BIOS

The installation of an internal modem might cause an IRQ conflict between two ports, even if no device is using the second port. The second port may have been disabled to overcome the problem.

One solution is to remove the internal modem and re-enable the COM port. Another solution is to install the third serial port.

[‡] MS-DOS Version 5.0 and higher; Windows 95/98

Fax Applications

The PC-FAX EXPANDER Type 190 has been tested with the following Class 2 fax applications :

BitWare 6.0, Wordcraft Sopwith Lite, MS-FAX (Win95), WinPhone (BVRP), LaserFax 3.5, Symantec WinFax Pro 8.0

IMPORTANT NOTE FOR DELRINA WINFAX PRO 8.0 USERS : change the default communication port from TAPI to COM X (X is the port number this option is connected) to avoid operation failure. From the application's Setup menu,

1. Select "Modem".
2. Select "Properties".
3. Pull down the list of communication port settings and select COM X and close.

Technical Assistance

For assistance, please contact your local appropriate dealer.